

Rose-Hulman Institute of Technology

## Rose-Hulman Scholar

---

The Rose Thorn Archive

Student Newspaper

---

Fall 10-22-2004

### Volume 40 - Issue 07 - Friday, October 22, 2004

Rose Thorn Staff

*Rose-Hulman Institute of Technology*, [library@rose-hulman.edu](mailto:library@rose-hulman.edu)

Follow this and additional works at: <https://scholar.rose-hulman.edu/rosethorn>

---

#### Recommended Citation

Rose Thorn Staff, "Volume 40 - Issue 07 - Friday, October 22, 2004" (2004). *The Rose Thorn Archive*. 227. <https://scholar.rose-hulman.edu/rosethorn/227>

THE MATERIAL POSTED ON THIS ROSE-HULMAN REPOSITORY IS TO BE USED FOR PRIVATE STUDY, SCHOLARSHIP, OR RESEARCH AND MAY NOT BE USED FOR ANY OTHER PURPOSE. SOME CONTENT IN THE MATERIAL POSTED ON THIS REPOSITORY MAY BE PROTECTED BY COPYRIGHT. ANYONE HAVING ACCESS TO THE MATERIAL SHOULD NOT REPRODUCE OR DISTRIBUTE BY ANY MEANS COPIES OF ANY OF THE MATERIAL OR USE THE MATERIAL FOR DIRECT OR INDIRECT COMMERCIAL ADVANTAGE WITHOUT DETERMINING THAT SUCH ACT OR ACTS WILL NOT INFRINGE THE COPYRIGHT RIGHTS OF ANY PERSON OR ENTITY. ANY REPRODUCTION OR DISTRIBUTION OF ANY MATERIAL POSTED ON THIS REPOSITORY IS AT THE SOLE RISK OF THE PARTY THAT DOES SO.

This Book is brought to you for free and open access by the Student Newspaper at Rose-Hulman Scholar. It has been accepted for inclusion in The Rose Thorn Archive by an authorized administrator of Rose-Hulman Scholar. For more information, please contact [ligget@rose-hulman.edu](mailto:ligget@rose-hulman.edu).

## News Briefs

### Race for the Cure team raised over \$600

The Rose-Hulman Race for the Cure team, organized by Merry Chamber, raised \$639 for the Susan G. Komen Breast Cancer Foundation, which funds breast cancer research and education.

The race itself occurred during Fall Break, so the team did not walk or run in the race, but rather participated as "phantom" runners.

By Lissa Avery

### Students share top honors in Schmidt Mathematics Contest

Piotr Pelcer and Peter Outcalt shared first place honors in this year's Alfred Schmidt Freshman Mathematics Competition. A total of 14 students participated in the two-hour contest on September 21. Awards were presented by the Mathematics Department on October 9.

Placing second were Jennifer Weber and Christopher Valenta. Third place was awarded to Chris Ebsch and Sara Zenner.

Earning honorable mention honors were Dawson Green, Nathan Lindle, Leonard Stuart, David Perek, and Robyn Umeki.

From Rose-Hulman News

### Echoes received national award for publication excellence

Echoes, the quarterly magazine produced by the Office of External Affairs, has received an APEX Award of Publication Excellence in an international competition for communications professionals that recognizes outstanding publications, from newsletters and magazines to annual reports, brochures and Web sites.

Echoes won the award in a category for printed four-color magazines and journals. This is the second APEX award the magazine has received. Echoes is circulated worldwide to 21,000 alumni and other friends of the college.

From Rose-Hulman News

Friday  
Cloudy 69 Hi / 56 Lo  
Saturday  
T-storms 68 Hi / 37 Lo

Provided by www.weather.com

Alexander Clerc  
Staff Writer

Unfortunately, there weren't any clowns, cotton candy, or rides at the fair last Wednesday, October 20. But the 2004 fall Career Fair did have 112 companies, an increase of 22% from last year, with a total of 260 representatives looking to recruit Rose-Hulman students for permanent positions, co-ops, and internships.

Many students felt this Career Fair was even better than last year's for a variety of reasons. "Last year, there was a lot of waiting in line, but this year they seemed to have solved that problem. There were more representatives and there were a whole lot more companies. I also think a lot of students are looking for internships, and there were a lot more available this year," said Josh Rich, a sophomore.

Andrew Getchell, a senior, said, "A lot more companies this year are open to internships and permanent positions. There are also a lot of newer companies, which is great."

Getchell also gave his opinion on why the Career Fair is so beneficial: "The Career Fair is very important because it allows you to put a face with a

## A day at the fair



Rose-Hulman News  
The Career Fair drew in 260 recruiters from 112 companies to the SRC.

company, to get a feel for the company's personality."

Dave Schluneker, a freshman, was also impressed: "The receptiveness of employers is great. I also like the huge variety of companies that are represented. Even Red Gold, the salsa company, is here!"

Some students, however, did not find the Career Fair to be very helpful. For example, some freshmen felt that the Career Fair's primary focus was on the upper-classmen. "Some of the companies aren't willing to consider us," claimed Nathan Lindle, a freshman.

In addition, the enthusiasm of the company representatives matched that of the students. Both new and veteran recruiters spoke positively of the 2004 Career Fair. Julia Karr of GEA, a first-year recruiter at Rose, said, "I'm very impressed with how things are run here. It's really smooth."

Kimberly Cochrane of GM stated, "I have been recruiting at Rose for over a decade, and this is an outstanding Career Fair year after year. It is very well staffed in all respects with people to support the company representatives. It also

impressed me that we got to meet the new president."

Kevin Hewardine, the head of Career Services, said the increase in visiting companies indicates improving market conditions and job outlook. But Hewardine added that it is still important for students to be aggressive in their search for work. "The Career Fair is a tool in your tool belt, but it isn't the end-all for job searching. Students need to be proactive and use every tool available to them."

Hewardine also stated that a big focus now is bringing in more companies from the biomedical engineering field to meet the supply of nearly 100 freshman and sophomore BE students.

There are two more Career Fair activities this year, including an internship/co-op fair on January 26 with an expected attendance of 55 companies. It is important to attend these events, Hewardine said, whether you are currently seeking employment or not. "It's a learning process - at a Career Fair you can learn what companies expect and how to market yourself effectively."

Next year's Career Fair, Hewardine says, will probably keep the optimum size of 120-130 companies.

## Artist, architect Vito Acconci visits Rose-Hulman

Angela Smiley  
Staff Writer

This past Tuesday, Rose-Hulman received a visit from the renowned Vito Acconci, artist, architect and founder of the Acconci studio. He presented a lecture sponsored by the Humanities and Social Sciences department and the Elsie Pawsley Fund.

Caroline Carvill, head of the HSS department, felt that Acconci was particularly well-suited to a lecture at Rose. The diversity of his work was a consideration, but the primary focus was on architecture: "We felt that Acconci's viewpoint would be uniquely interesting, especially for students in Civil Engineering who might work in architecture and related fields," she explained. However, his insights about the relationship between art and engineering were also worthwhile for all majors, particularly given his

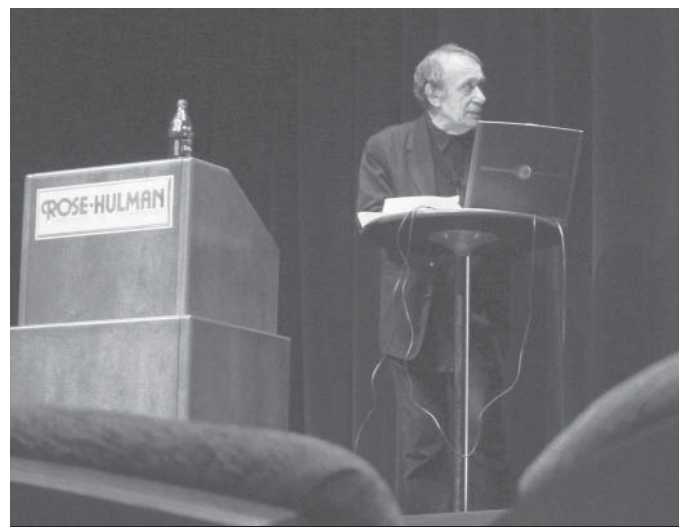
wide variety of experience.

Acconci spoke briefly about his artistic background and the motivations behind his work; he recalled feeling affronted as a youth by the 'do not touch' philosophy of art - the forced distance between art and audience.

By contrast, he described architecture as 'inherently in the middle of things', the creation of art meant to be lived in and used. He sees collaboration as essential to creative endeavor, and once he began to delve into architecture seriously he decided it was important to form a studio.

"I can't say certainly that six people think better than one," he commented, "but they think more than one." His role in the studio is to generate ideas; instead of micromanaging, he lets projects benefit from the insights of each studio member.

He proceeded to offer a glimpse into the studio's phi-



Carmen DuVall / Photographer  
Vito Acconci spoke in Hatfield Hall on Tuesday, October 19, covering his thoughts on architecture and art and where the two should be merged.

losophy and a candid discussion and slideshow of its recent creations. One principle that guides his work is the idea that a person's actions are governed, to some extent, by their surroundings. For this

reason, he has moved towards the idea of adaptable spaces, architectures which can be reshaped or otherwise modified by the persons using them.

Continued on Page 3...

### News

Students get involved in politics.

Page 3

### Entertainment

The only place at Rose you'll find big names.

Pages 4 & 5

### Opinions

Surprise, it's a socialist!

Page 6

### Sports

Fall intramurals run-down.

Page 7

### Flipside

Visiting the Eiffel Tower.

Page 8



# Upcoming events

Sunday	Monday	Tuesday	Wednesday	Thursday	Friday	Saturday
					<b>October 22</b> * Job Interviews: Guidant, Milliken, Digital Net, Naval Surface Warfare Center	<b>23</b> * Virginia Tech Mathematics Contest, Crapo Hall, 8:30-11 a.m.
<b>24</b> * Company Info Sessions: Marathon Ashland Petroleum LLC, PA Room, 6-8 p.m. * Crowe Chizek and Company, Music Room, 7-9 p.m.	<b>25</b>	<b>26</b> * Fraternity Bid Tuesday	<b>27</b> * Career Services' Company Info Session: Texas Instrument, PA Room, 6-8 p.m.	<b>28</b> * Elsie Pawley Fund/HSS' Speakers Series, "Partners in Conservation," Charlene Jendry, GM Room, 4:20 p.m.	<b>29</b> * Drama Club Play, "Epic Proportions", Hatfield Hall Theater, 8 p.m.	<b>30</b> * Lambda Chi Alpha North American Food Drive Bag Pick Up In Neighborhoods Near Campus, Noon to 3 p.m.
<b>31</b>	<b>November 1</b>	<b>2</b> * Election Day	<b>3</b> * Students' Meningitis Vaccination Clinic, Hulman Union, Noon to 7 p.m.	<b>4</b> * ASME's Distinguished Lecture, "Renewable Energy & Sustainability," Ian Arbon, Presentation Room, Myers, 2:30-4:15 p.m.	<b>5</b> * Drama Club Play, "Epic Proportions", Hatfield Hall Theater, 8 p.m.	<b>6</b> * Dad's Day * "Magic to Miracles: A Dramatic Romp Through the History of Chemistry," David Erwin, E-104, 2:15-3:15 p.m.
<b>7</b>	<b>8</b> * Admissions' On-Campus Visitation Day	<b>9</b>	<b>10</b>	<b>11</b>	<b>12</b> * Fine Arts Series, Organ Concert, 7:30 p.m. - 9:00 p.m.	<b>13</b> * 10:00 a.m. - 2:00 p.m. Rose-Hulman High School Mathematics Contest
<b>14</b> * Last Supper Before Finals, 5:00 p.m. - 6:00 p.m.	<b>15</b> * Fall Quarter Final Exams	<b>16</b> * Fall Quarter Final Exams	<b>17</b> * Fall Quarter Final Exams	<b>18</b> * Fall Quarter Final Exams	<b>19</b> * Thanksgiving break	<b>20</b>

**Sweet Lou's Pizzeria**  
 \$1.00 Off Any Pizza  
 \$10 - 12" 1 Item Pizza & Breadstix  
 Free Delivery! 2 Calzones \$10.00  
 9644 E. Wabash Seelyville, IN (2miles E of RHIT)  
**812-877-6776**  
 TUE-THURS 4pm-9pm FRI/SAT 4pm-10pm SUN 4pm-9pm

Now You're Eating Pizza!

**KLEPTZ'S**  
 RESTAURANT  
 Tired of Studying?  
 Treat yourself to a Steak Dinner!  
 (CORNER OF MAIN ST. & U.S. 40 - SEELYVILLE)  
 (812) 877-2314



**Sharp Flats East**  
 Available Now!  
 1 bedrooms & studios  
 Located 6710 Wabash Call 877-1146 for details

**Sharp Flats on 6th St.**  
 Available Now!  
 Very nice 3 bedroom apartment  
 3 baths/huge living room/large kitchen  
 All utilities Paid! 720 S. 6th St.  
 Studio apt. available 720 S 6th St  
 1 bedroom apt. available 926 S 6th St  
 \$325 including all utilities  
 Call 877-1146 for details

**We've Got Readers...**



**You Need Customers...**



**Advertise with The Rose Thorn Today!**  
 Advertising Dept.  
 phone: 812-877-8255  
 fax: 812-877-8166  
 thornbiz@rose-hulman.edu

**Classifieds**

**\$450 Group Fundraiser Scheduling Bonus**  
 4 hours of your group's time PLUS our free (yes, free) fundraising solutions EQUALS \$1,000-\$2,000 in earnings for your group. **Call TODAY for a \$450 bonus** when you schedule your non-sales fundraiser with CampusFundraiser. Contact CampusFundraiser, (888) 923-3238, or visit [www.campusfundraiser.com](http://www.campusfundraiser.com).

**Tutoring**  
 Tutor needs for 6th grade student. Algebra and basic math skills. Please call 812-466-5923



**Luke Stark / Co-Editor-in-Chief**  
 Congratulations to Bob and Jacob for getting engaged (albeit not to one another). Belated congrats to The Hizzouse and Lady on getting married this summer. Happy 20th birthday, Lissa.

# The Rose Thorn

**The Rose Thorn**  
 CM 5037  
 RHIT  
 5500 Wabash Ave.  
 Terre Haute, IN 47803  
 E-mail: [thorn@rose-hulman.edu](mailto:thorn@rose-hulman.edu)  
 Phone: (812)877-8255  
 Fax: (812)877-8166  
 Web Address:  
[www.rose-hulman.edu/thorn](http://www.rose-hulman.edu/thorn)

**Co-Editors-in-Chief:**  
 Luke Stark  
 Bob Schulein

**News Editor:**  
 Lissa Avery

**Opinions Editor:**  
 Brandon Hathaway

**Entertainment Editor:**  
 Jacob P. Silvia

**Sports Editor:**  
 Josh Annin

**Flipside:**  
 Gregory Weir

**Webmaster:**  
 Stephen Pierce

**Ad Manager:**  
 Odessa Goedert

**Staff Writers:**  
 Bridget Mayer  
 John Kropf  
 Robert Herbig  
 Andrew Twarek  
 Alexander J. Clerc  
 Evan Parker  
 Aaron Meles  
 Angela Smiley

**Photographers:**  
 Matt Durham  
 Carmen DuVall  
 Andrea Brown

**Copyeditor:**  
 Bill Waite  
 Abby Reborn

**Graphics Editor:**  
 Hillary Hansen

**Advisor:**  
 Dr. Richard House

The Rose Thorn is printed Fridays during the standard Rose-Hulman quarters.



## Physics alumnus cruises world in study of global warming

Rose-Hulman News

If you think the summers are getting increasingly warmer in your part of the world, Rose-Hulman Institute of Technology alumnus Terrence Joyce shares your concern, and he has the scientific data to back it up.

Alumnus Terrence Joyce, a senior scientist at Woods Hole Oceanographic Institution, examines climatic change.

As senior scientist at the Woods Hole Oceanographic Institution (WHOI), Joyce (Physics, '68) has spent most of the past 30 years examining climatic change through groundbreaking research into the increasing temperatures of oceans. His findings, concurred by internationally respected scientists, assert that common fears over global warming may be misguided.

In a New York Times op-ed article, titled "The Heat Before The Cold," (April 18, 2002) Joyce advised that global warming could actually result in colder temperatures for Eastern North America and Western Europe, and set off catastrophic changes to the global system of ocean currents. This phenomenon could plunge a portion of the northern hemisphere back into mini ice-age

conditions. He reminds persons that about 500 years ago a reduction of the ocean currents may have turned the climate in northern Europe and the northeastern United States much colder, during what became known as the Little Ice Age, which lasted for about 300 years.

Joyce's conjectures may receive even more exposure this summer with the film "The Day After Tomorrow," which depicts global warming triggering a cascade of events that practically flash-freeze the planet. The movie could do for interest in climatic issues what "Jurassic Park" did for dinosaurs.

"Anything that reawakens the issue of abrupt climate change as a possible consequence of global warming is a positive thing," Joyce says. "There simply has to be more research in this area."

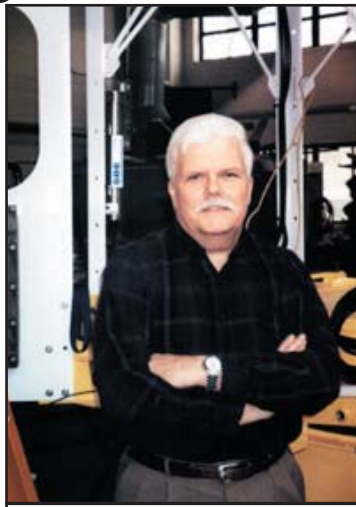
Hoping to add more evidence to global warming issues, Joyce has made 25 extensive research cruises to observe the changing ocean climate. In his latest journey, conducted last fall, he led a 25-person American team on a 24-day excursion that conducted a hydrographic survey of Atlantic Ocean waters near Trinidad. The cruise is part of a large interna-

tional effort to understand how the ocean is changing globally and how it may be influenced by and, in turn, influence future climate variability.

"The ocean is a huge reservoir of carbon dioxide and a huge heat storage reservoir," Joyce observes. "A global ocean-observing system would greatly enhance our ability to monitor changes that can spawn major, long-lasting climate shifts and lead to reliable predictions of what may follow."

Joyce became interested in oceanography after attending a summer educational program on earth sciences at the University of Miami (Fla.) between his junior and senior years at Rose Polytechnic Institute (now Rose-Hulman). He has spent his entire professional career with the largest independent, not-for-profit, oceanographic research organization, located on Cape Cod.

"The (New York Times) op-ed about abrupt climate change is certainly not my main contribution to science. Like many researchers, I feel that my best work is yet to come. That motivates me to keep working," he continued. "Although we have been making serious oceanographic observations since the late 1950s,



Rose-Hulman News

Alumnus Terrence Joyce, a senior scientist at Woods Hole Oceanographic Institution, examines climatic change.

our modern record is too short to draw many definitive conclusions. The period since the mid-1960s until now, for example, can be seen to be rather anomalous, based on late 19th and 20th century air temperature records in the U.S. Yet this recent period is the one with most of our ocean data. So we risk making great errors in our inferences drawn from the most recent, anomalous years."

## Rose-Hulman students seek to filter through rhetoric of presidential campaign

Rose-Hulman News

Recognizing campaign rhetoric and the role it could play in determining the winner of the 2004 presidential campaign is the focus of a thought-provoking humanities course at Rose-Hulman Institute of Technology that's examining rhetorical issues in a political campaign.

The Presidential Election Rhetoric class, taught by English professor Anneliese Watt, seeks to increase students' awareness and understanding of the rhetoric of presidential campaigns, including debates, speeches, candidate Web sites, news coverage and advertising. It also examines the nature of the presidential election process, current campaign issues, the role of the news media in elections and the nature of campaign advertising.

"I want the students to understand how they're being manipulated and appreciate when it is done skillfully," Watt states.

The class is unusual because it is offered at a private undergraduate college that specializes in engineering, science and mathematics education.

"I have been surprised with the thoughtfulness of the classroom discussions and how seriously students have examined the political platforms of both the Republican and Democratic presidential campaigns. It has made me more involved in the political process this election year," states freshman Jennifer Gordon of Zionsville, Ind. She has already voted by absentee ballot.

Christopher Deaton, a freshman from Madison, Ind., has been surprised with the amount of interest in this year's presidential election on campus. Students have organized parties to watch the presidential and vice presidential debates;



Rose-Hulman News

Classroom presidential candidates Christopher Deaton (left) from the Independent/Conservative Party and Brandon Martin (right) from the Libertarian Party answer questions from Rose-Hulman Institute of Technology English Professor Anneliese Watt during a recent classroom mock debate.

examined political Web sites, like factcheck.org to review statements made by political candidates; and registered to vote, through the efforts of Rose-Hulman's Student Government Association.

"There's more interest in the election here than I thought would be at an engineering- and science-oriented college, versus a liberal arts-type college," says freshman Christopher Deaton, who is majoring in economics and mathematics. "Students know that this election will shape their futures. Frankly, it is nice to see this political interest."

The larger goal of the Presidential Election Rhetoric course is to provide students an understanding of how to use language effectively, when they become engineers, scientists, plant managers or salespersons, according

to Watt. Along the way, the students have become much more aware of the American political process and how politicians try to manipulate public opinion.

"I want to use politics as an educational tool and bring a fresh approach to everyday issues for these students," says Watt, who also taught the class last spring during the primary presidential campaign season. A class on the topic was also offered during the 2000 presidential election.

Earlier this month, Watt's students conducted their own mock presidential debate. Brandon Martin, a sophomore from Carmel, Ind., was the presidential candidate for the Libertarian Party, while Deaton was leading the Independent/Conservative Party ticket. They issued varying opinions about international relations,

tax issues, phasing out Social Security and balancing federal budgets.

Some students are serving as vice presidential candidates, campaign managers and staff members, preparing campaign promotional materials and political platforms; others serve as news media representatives, suggesting debate questions and covering the event on a special classroom blog Web site. A mock vice presidential debate is planned on Nov. 1, with a final presidential debate scheduled on Nov. 8.

Sophomore Brandon Martin makes his point on a wide range of issues during a recent classroom mock debate. He is joining freshman Jennifer Martin as candidates for the Libertarian Party in a Presidential Election Rhetoric class. Playing off their last names and popularity of NASCAR drivers Mark Martin and Jeff Gordon, the candidates are using a racing theme in their campaign.

"By taking this class I have become much more aware of the media's role in the political process and recognize that there's no such thing as an unbiased media," said Gordon, the course's Libertarian Party vice presidential candidate. "The classroom discussions have opened my eyes on important campaign issues. Before this class I would never had thought about taking the time to read the political platforms of the presidential candidates. I now know what the candidates and their political parties truly stand for. It eventually shaped my final (voting) decision."

For students more interested in politics, Rose-Hulman Political Science Professor Terrence Casey is teaching an "American Politics and Government" course this fall. Mock political debates have been conducted to provide students



Rose-Hulman News

Rose-Hulman Institute of Technology freshman Christopher Deaton gestures while answering a question during a recent mock debate in a Presidential Election Rhetoric class. Deaton represents the Independent/Conservative Party.

with a better understanding of the policies of political candidates.

"Democracy is not a spectator sport and you have to understand the process if you are going to be an informed, active participant," states Casey, who estimates that more Rose-Hulman students are following the U.S. presidential campaign this year than 2000. "I don't think students are keyed in on any specific issues, although the war in Iraq and the wider war on terrorism are certainly important to them."

Rose-Hulman's Department of Humanities and Social Sciences is also hosting a visiting lecture Oct. 26 on "The Communications Operation of President George W. Bush: Making News on His Terms" by Martha Kumar, a political science professor at Towson University (Md.). The session starts at 4:20 p.m. in the Presentation Room of Myers Hall. It is free and open to the public. Kumar has spent the last few years with the White House press corps, studying presidential communication. She also led a major study of the presidential transition process in 2001.

## Acconci, from Page 1...

This brought him to the border of art and engineering, where questions of how to physically make something work – and whether it was even possible – became important.

Now, says Acconci, he has come to view engineering as more important than he once did. "All the things I felt like I didn't want to learn – math, physics – are the things I crave now."

The Acconci studio is currently exploring new ways to utilize space that might have been overlooked or eschewed by traditional developers by employing new materials and engineering techniques.

Write for the Rose Thorn

Meetings are Wednesdays, 5:15 p.m. in Olin 157.



## Out This Week

## In Theaters

## Grudge

Directed by Takashi Shimizu  
Starring Sarah Michelle Gellar  
Rated PG-13

## Surviving Christmas

Directed by Mike Mitchell  
Starring Ben Affleck  
Rated PG-13

## The Machinist

Directed by Brad Anderson  
Starring Christian Bale  
Rated R

## Vera Drake

Directed by Mike Leigh  
Starring Imelda Staunton  
Rated R

## Celsius 41.11

Directed by Kevin Knoblock

## On DVD

"Arrested Development"  
Season One

Ed Wood: Special Edition

Eyes Without a Face: Criterion  
Collection

## Box Office Top Three

1. Shark Tale
2. Friday Night Lights
3. Team America: World Police

# "Team America" pulls no punches

Bill Waite  
Copy Editor

True to form, "South Park" creators Trey Parker and Matt Stone strive to be as offensive as possible in their newest movie, "Team America: World Police". This movie goes beyond crude humor, language, and graphic puppet sex; it sneers at everything from American patriotism to Jerry Bruckheimer, and doesn't dance around the sensitive subject of terrorism. "Team America" is a funny, but ultimately pointless, vulgar comedy.

When Team America, a government anti-terrorism task force, discovers that Kim Jong-Il is supplying terrorists with weapons of mass destruction, they realize the war of terror can't be won with brute force. Their leader, Spottswoode, recruits Broadway actor Gary Johnston to pose as an evildoer and infiltrate the terrorist organization. Gary tries to act his way into a terrorist cell in Cairo, but when the situation goes sour, Team America ends up in an all-out firefight that destroys half of Cairo, including the Great Pyramids and the sphinx.

The debacle in Egypt turns public opinion against Team America, and Alec Baldwin, president of the Film Actors'

Guild, speaks out against their brutal tactics. With everyone against them, Team America has to fight through violent protestors, the North Korean Air Force and several heavily armed thespians to stop Kim Jong-Il before he can detonate WMDs around the globe.

"Team America: World Police" is an excellent parody of the summer action blockbusters we see every year. The first ten minutes are loaded with every action movie cliché you can think of, from the tough-guy one-liners to the contrived dramatic scenes, where actors try to evoke a lifetime of pain and suffering in 30 seconds or less. The scenes ranged from perfect imitations to over-the-top spoofs, such as a fight scene in which Team America destroys the Louvre, the Eiffel Tower and the Arc de Triomphe in an attempt to kill a band of four terrorists.

"Team America" is a great spoof, but fails as a satire. The public figures appearing in the movie are not caricatures; they are just garden-variety idiots with famous names and faces attached. For example, Michael Moore makes an appearance as a fat suicide bomber with mustard on his shirt. Instead of making a statement, Parker and Stone



"Team America" is an equal-opportunity film: mockery is made of everybody.

simply make fun of everything in sight without rhyme or reason. Judging from their past work, I suspect that's exactly what they intended, but it kills me when I hear someone say "Team America" is a great satire.

The musical numbers are hit and miss. The lyrics are hilarious, but the music is uninspired and the singing is terrible. With the exception of "Montage", everything sounds like it was done by some amateur goofing off in his basement. The characters' voices suffer from the same problem. "Team

America" would be much better if the producers had simply hired professional musicians and voice actors, and made Trey Parker stick to writing and directing.

"Team America" is a good parody, but never makes the leap to being a good movie. The writers came up with a few good ideas and figured they could flesh it out with an endless string of cheap gags. Bash a few celebrities, and they could pass it off as satire. It's funny, but Stone and Parker could do much better.

## Gaiman redefines super heroes in "1602"

Jacob P. Silvia  
Entertainment Editor

When I was a young child, I read a lot of comic books. Now that I have grown and matured, I have put aside such childish actions, and have since delved into the world of graphic novels.

The main difference between a comic book and a graphic novel is the quality of the literature within. Granted, some comic books are phenomenal, and they are then gathered into a single, or sometimes multiple, volume collection, and are worthy of being dubbed a graphic novel. *Marvel 1602* was one such book.

Written by Neil Gaiman, illustrated by Andy Kubert and digitally colored by Richard Isanove, *Marvel 1602* answers the eternal question: "What if the Marvel superheroes had existed in England back when Queen Elizabeth died and King James took over the throne, instead of in 20<sup>th</sup> century America?"

These superheroes include Daredevil, Doctor Strange and Nick Fury, Agent of S.H.I.E.L.D., to name a few.

The story is well written, as Gaiman is an expert on that particular era and a good writer to boot. The aspect I enjoyed most was the fact that it was essentially a multiple-issue storyline of *What If?*. For those who did not have the comic book-laden childhood I had: *What If?* came out every month with a new (sometimes dual-part) storyline asking a hypothetical question regarding

the Marvel superheroes. Each month, a new situation was resolved, either for the better or the worse. This was one of my favorite comic book series. *1602* manages to do this well, even including the staple *What If?* character Uatu, the Watcher.

The art takes much of its style from past greats. Gaiman told Kubert in the notes of the story to try to model the characters after the "best" (in Gaiman's opinion) rendition of a certain superhero. Kubert did so wonderfully, while adding the proper dress and ambience of the early 17<sup>th</sup> century.

*1602* is among the first mainstream comics to use digital painting. Kubert would send high-quality pencil drawings to Isanove, who would put them on his computer and use a program to do both the inking and the coloring. This provides for flawless "inking," giving each panel a crisp, clean look, yet at the same time looking like

something between a painting (a la *Marvels*) and your run-of-the-mill comic coloring.

If you are as an enormous geek for comic books and graphic novels as I am, I would highly recommend *Marvel 1602*. You might also enjoy it if you are a fan of Gaiman's other works, such as *Sandman*, *Neverwhere*, and *American Gods*. If you are not well versed in the Marvel mythos, you may want to pick up some issues of the popular Stan Lee and Jack Kirby comics to find out what you were missing.



## SNK NeoGeo USA Consumer Corp Announces The King of Fighters 02/03 Combo Pack

Michael Meyers  
Press Contact

WALL, NJ. - October 19, 2004 - SNK NEOGEO USA CONSUMER CORPORATION, the US publishing arm of the SNK NEOGEO CORPORATION, announced today that they will be releasing THE KING OF FIGHTERS 2002 and 2003 combo pack for PlayStation 2 computer entertainment system in November 2004. This ultimate double pack collection of 2D fighting will be specially priced at \$39.99.

Since 1994, THE KING OF FIGHTERS series has appeared on a variety of gaming platforms, as well as in the arcade, where it has garnered a legion of fans. Over 3 million copies of the series have sold to date.

### About THE KING OF FIGHTERS 2002

THE KING OF FIGHTERS 2002 is a "gathering" of the KOF 99-01 trilogy bringing together all of the best characters from the previous games.

### KOF 2002 features:

- A total of 44 characters from KOF 96 through KOF 2001 available for the first time in one arena
- Thirteen extreme 2D fighting teams with 5 bonus secret characters to unlock
- Revives the extremely popular 3 on 3 battle format
- Upgraded Max-On Power System
- Over-the-top Super Special Moves to cause extreme damage

### About THE KING OF FIGHTERS 2003

THE KING OF FIGHTERS 2003 marked the beginning of a new epic saga in the KOF series. KOF 2003 also introduced SNK's now popular "Multi-Shift System" which allows for the free substitution of any team member during battle.

### KOF 2003 features:

- 8th installment of the franchise
- A total of 35 characters yielding 11 of the most dangerous 2D fighting teams ever assembled plus hidden boss characters
- Introducing 10 beautifully rendered 3D battle stages
- Select your team leader with the new "Tactical Leader System"
- Learn the combo moves for your favorite fighters and unleash massive attacks

"With the release of THE

KING OF FIGHTERS 02/03 combo pack and KOF: MAXIMUM IMPACT for the PlayStation 2 this fall, our loyal fans and new gamers being introduced to KOF will be very happy this holiday season" said Ben Herman, President, SNK NEOGEO USA CONSUMER CORPORATION.

### About SNK NEOGEO USA CONSUMER CORPORATION

Over the past 15 years, SNK has published classic arcade titles such as THE KING OF FIGHTERS, BASEBALL STARS, METAL SLUG, SAMURAI SHODOWN, and FATAL FURY on a wide variety of home gaming and handheld systems. You can find more information about SNK NEOGEO USA CONSUMER CORPORATION games at <http://www.snkneogeousaconsumer.com>

###

THE KING OF FIGHTERS is a registered trademark of SNK PLAYMORE CORPORATION.





# Why we don't have Audioslave



**The Guy with the movie camera**

**Bob Schulein**  
Co-Editor-in-Chief

At the beginning of the school year, Dr. Midgley asked the student body, "Why isn't the band Audioslave performing on our campus?" The answer is complicated, but if students band together, the question will change to, "When will Audioslave be playing at Rose?"

Earlier this year I looked into bringing filmmaker Kevin Smith to speak on campus before the Presidential election. Smith is most famously known as "Silent Bob" in his films "Clerks," "Mall Rats," and "Dogma." He also directed a series of non-partisan commercials for DeclareYourself.com. I thought this would be the perfect event for our campus - have a funny filmmaker talk about his life and throw in some politics on the side.

A couple of problems came up while trying to get Smith: he charges \$38,000 per night and

only speaks in auditoriums. As beautiful as Hatfield Hall is, it only seats about 600 people. If the school were to make its money back, it would have to charge \$63.33 a ticket, an amount I doubt many college students would go for.

After showing Smith pictures of the Hulbert Arena, he agreed to speak there. The Arena can accommodate a maximum of 3500. Costs for sound and staging are between \$10,000 and \$25,000. That brings a total of between \$13.71 and \$18 a ticket. It is possible that enough college students would be willing to pay this amount. Of course, there aren't that many students at Rose, so we would need to look elsewhere to sell the leftover tickets.

We just had to sell tickets to other schools, so why didn't this event happen? According to the administration, Terre Haute has a bad history with big name acts. The Hulman Center at ISU used to bring in a lot of large acts but stopped because they were losing money. Maybe the acts were not suited for the Terre Haute college crowds or maybe they were under publicized.

Now this really confused me. Between Rose, ISU, Saint Mary of the Woods, and Ivy Tech, there

are over 10,000 students to draw upon. Surely out of those students and others from DePauw, Ball State, and additional nearby schools, we could draw a large enough audience to support a world-class act. With such a broad audience, why was money lost?

I talked to some student leaders about bringing Smith to campus and was met with unexpected apathy. My e-mails were not returned and my ideas were ignored. And I see this problem permeating all throughout the student body: if it involves effort on their part, they don't care.

Here's a typical exchange:  
Student: "Terre Haute sucks! There's nothing to do!"

Me: "So why don't you do something about it?"

Student: "Meh. My couch/computer/beer is right here."

As long as you don't act, you'll become more and more accustomed to that couch/computer/beer. Yeah, it will require some effort, but do you know how much more enjoyable your Rose experience will be if you help bring in a wonderful event? Rose-Hulman is acknowledged as one of the finest undergraduate institutions in the country, and everyday we are pushed to lead. So why can't we lead the

community in entertainment?

A committee has been formed to look at big name acts to bring on to campus. Committee members include faculty Donna Gustafson and Bunny Nash, with students Marlo Manaloto, Martin Brenny, and many more. The committee would like your help! Who would you and your friends like to see at Rose? How many people do you think would come? Would you be willing to pay to see them? Do you know of anyone interested in putting up some dough to help the world's best engineers get the world's best entertainment?

Contact anyone on the committee with any ideas. By taking an active role in the pursuit of these activities and

events, you are advancing the Rose-Hulman community. "I brought Audioslave to Rose-Hulman" sure sounds good on a resume.



Sorry, Kevin Smith, Mother says we cannot play with big name acts.

## The Faint to stay underground with 'Wet From Birth'

**Rory Brunner**  
U-WIRE (U-WIRE)

(U-WIRE) SAN DIEGO - Does the dance-rock movement that has blown up mainstream radio with the Killers, the Hives, the Sounds, the Strokes and the like have room for the Faint? Can the Faint carry the torch and build a mound of riches to break out of recording in a warehouse in Omaha, Neb.?

Well, not likely, but for the right reasons. In the Faint's fourth full-length album, "Wet From Birth," the band shows again they're not afraid to venture out of what is commercially acceptable and dabble into a little bit of everything, which also seems to be a drawback to the album.

The band is drenched in synthesizing with a techno beat, though at the same time the band draws from a punk past, and it shows at times, most notably in the band's lyricism. The track "Phone Call" proclaims, "If I could open up to you / Maybe I could open you up." Ah, stirring. See if you can find the sexual innuendo, then look for Waldo? The even more blatant "Erection" says, "It's the cock of a rifle / A memory in the dark / You tried to keep it a secret / The world's going to know / You tried for perfection / But then / Erection."

The album, recorded in a warehouse affectionately dubbed "The Orifice" by band members, draws influences from '80s new wave and Euro, New Order-like rock, and

will surely be christened by goth clubs the country over for its dark, pulsating beats. Some reviews want to mesh in the Faint's sound with Franz Ferdinand or Interpol, but they're too electronic and techno for that label. Another more accurate comparison is perhaps a more darker version of Cake, or maybe the Muse with a more dance beat.

Nevertheless, the album is at its best with the heavy string influence on "Southern Belles in London Sing," which turned out to be new words and music over a partially borrowed melody from '80s band B-Movie. From the Euro-dance club beat in "How Could I Forget" to the featured bass line in "I Disappear" to the guitar-based punky feel in "Drop Kick the Punks," the Faint aren't unopposed to playing off a number of influences.

But part of the problem with the Faint's latest is just plain putting too much out there. On the band's Web site, Todd Baechle triumphantly proclaims the band found a way to get "a raccoon penis bone-on-muffler solo." I don't even know what that means, but when you're putting forth an effort to get that raccoon penis sound on the album, you may be trying to cram a square peg into a circular hole.

Whereas the Faint aren't going to have enough commercial appeal to break into radio, they come up with enough innovation and creativity to keep on plugging after 10-plus years in the biz.



**Huzzah! The weekend hath arrivéd! Thou shouldst enjoy delectable pizza and merriment**

**Extra Large One-Topping**

**ONLY 9<sup>99</sup>**  
Campus Only

Limited Delivery Area - Coupon Required  
**ORIGINAL OR THIN CRUST WHERE AVAILABLE Expires: 5/28/04.** Not valid with any other offer. Valid only at participating locations. Customer pays all applicable sales tax. Additional toppings extra.

**1234 WABASH AVE.**

**Store Hours...**  
Mon-Wed: 9am - 1am  
Thurs-Sat: 9am - 2am  
Sunday: 12pm - 12am

**232-PAPA**

**One Large One-Topping**

**ONLY 7<sup>99</sup>**  
Campus Only

Limited Delivery Area - Coupon Required  
**ORIGINAL OR THIN CRUST WHERE AVAILABLE Expires: 5/28/04.** Not valid with any other offer. Valid only at participating locations. Customer pays all applicable sales tax. Additional toppings extra.

# Fall break full of surprises



I tell you  
what to  
think!!!

Brandon Hathaway  
Opinions Editor

If you're anything like me, you were probably on Fall Break for a large part of last week. Of all the breaks, it is the most enigmatic; the only explanation for having the Thursday and Friday of sixth week off is to get back to a normal schedule after starting classes on a Thursday. Or maybe it's the other way around.

I decided to do something different for my break. Instead of the usual thing, like bumming around my room for a few days while playing Xbox, driving to Chicago to eat a Chicago style pizza - the existence of which is confirmation of God's love for man - or some other similar thing, I decided on Tuesday to buy a plane ticket for a Wednesday morning flight to Daytona Beach.

Now, I live there, so it's not some random location I just picked off a map, but I have never bought a plane ticket within six hours of de-

parture. Nor have I done so without informing the people in whose house I am going to be sleeping, who, coincidentally, happen to be my parents. I think a brother might live there too.

Of course I'm joking; I am not so callous as to not be sure about who lives at home. We also have three cats.

I arrived at the Daytona Beach airport on Wednesday at 12:15, and my brother, Spencer, who may or may not live at home, and his friend, Matt, were there to pick me up. This whole trip was a surprise, and they were in on the con. It kind of kills the surprise if I inexplicably ask my parents to go to the airport at noon and wait for flight 499 Delta Airlines from Atlanta.

The three of us, delighted in the success of our plan, were eating lunch in the kitchen awaiting for the arrival of Mom and Dad. When they saw three people eating lunch, instead of the expected two, they pantomimed a scene similar to a Doublemint Gum commercial, except with three people instead of two. I think my mom was so confused she's still not sure if it actually happened.

My first major activity in the most important swing state involved walking on the beach and checking out the erosion caused by the fourth, and hopefully final, hurricane to strike Florida this season.

It was really a surprise for me,

because every time I came back the beach was always there.

It is really hard for me to explain how much sand is actually gone from New Smyrna's Beach. I cannot use a percentage change, because I don't know how much is still there. I don't know how much the missing sand would weigh, either, except that since it's missing, it weighs nothing. So think of it this way: every time you go to the beach, think of all the sand that you get on your feet, in your towel, in your hair, in your bathing suit and in your car. It's way more than that.

This is actually a big problem, because people's houses and hotels and things are now on the edge of a 15 foot cliff, rather than a beachfront. Boardwalks and docks that traditionally play the role of a gentle path out to the sand and waves now are more of a site for extreme sports, like bike jumping or Parcheesi.

The second major activity centered on the fact that Florida is the most important swing state: I watched the debate with my family. I was unable to watch the others with them, for obvious reasons,

and it played out a lot like watching Jeopardy does. There was a lot of yelling at the screen, people tried to show their knowledge, but ultimately, none of us actually won anything.

My mom was bothered by the way John Kerry acted, my dad wanted to know how either candidate was going to pay for their promises, and my little brother didn't like John Kerry because he wasn't George Bush. I was getting tired of listening to the candidates answer every question with something about Iraq. Here's an example:

Moderator: Would you describe your health care plan?

Kerry: Well, Bob, my opponent lied to the country about weapons of mass destruction in Iraq. Clearly, this was the wrong war at the wrong time.

Moderator: Mr. President, your rebuttal?

Bush: How can you expect to lead troops when you say things like that?

Those were my impressions of the debate. I had other impressions of Florida, too, but talking about them in detail would mostly sound like bragging, and I've learned that you Midwesterners don't like to read about that. So, I had a happy break, and hope you had one too. And go vote.



www.4beachnuts.com

This walkover and the beach after it are examples of things that are no longer part of New Smyrna Beach.

It is really hard  
to explain how  
much sand is  
actually gone.

## Historical Hautian Eugene Debs, five time presidential hopeful

It is common knowledge that, when it comes to presidential elections, Indiana is a "red" state. Let's reflect on a time when Terre Haute was home to the "red" presidential candidate Eugene V. Debs.

Eugene V. Debs (1855-1926) of Terre Haute ran for President of the United States five times, in 1900, 1904, 1908, 1912, and 1920. Debs ran on a distinctly American blend of individualism, Christianity, humanism, pacifism and internationalism. You don't need to be a historian to realize that he wasn't elected President, but that didn't prevent Debs from influencing the politics and policy of this great nation and abroad. In fact, Vladimir Lenin referred to Debs as "one of the true internationalists, a real representative of the revolutionary proletariat." Being "red" had a slightly different political connotation at the beginning of the last century.

At the age of fourteen Debs dropped out of high school and began a four year stint working on the Vandalia Line of the Terre Haute & Indianapolis Railroad (chartered by Chauncey Rose in 1847), primarily working as a fireman. The depression of 1874 (the year Rose Poly was founded) claimed Eugene's job. To the relief of his mother, Eugene took a much safer job as an accounting clerk for Herman Hulman (a major contributor to Rose Poly from 1880 on) at Hulman & Company,

one of the largest wholesale groceries west of New York. Shortly thereafter Debs joined the fledgling Terre Haute chapter of the Brotherhood of Locomotive Firemen, volunteering his time at night; thus initiating his lifelong affiliation with organized labor.

Debs' work experience at Hulman's and the Brotherhood gave him entrée with Terre Haute's influential personages. He capitalized on these connections when he successfully ran for City Clerk on the Democratic ticket in 1879 to begin his political career. Debs served two terms as Terre Haute's City Clerk before being elected as Vigo County's representative to the Indiana General Assembly; all the while continuing to serve the Brotherhood of Locomotive Firemen in various capacities, most notably as the national Secretary and Editor of the magazine.

By 1891 Eugene had come to feel that the existing system of organizing railway workers into separate trade unions was fracturing the interests of labor. In 1893

Eugene Debs organized the first industrial union in the U.S, the American Railway Union (ARU). The ARU admitted all railway workers, skilled and unskilled, regardless of trade. In 1894 the young ARU showed the power of the new concept when it won a stunning victory in the Great Northern Railway strike in St. Paul, Minnesota, receiving 97.5% of its wage demands.

Less than one month later was the beginning of the Pullman strike, an event that thrust labor issues and Eugene Debs into the national spotlight and made Debs into America's preeminent spokesman for working men and women. Pullman luxury sleeping cars were manufactured in the company town of Pullman, Illinois, just south of Chicago. George Pullman owned and controlled the entire town. In response to the recession of 1893, he laid off 1/3 of the workforce and cut wages by 30% while refusing to lower the rent in the worker's tenements. The Pullman workers joined the ARU, went on strike, and appealed to the ARU for assistance. When George Pullman refused to

negotiate or enter arbitration, the ARU delegates voted to boycott all Pullman cars: any trains carrying this brand of luxury sleeper would not be moved.

Debs traveled to Chicago to lead the strike. The effects of the boycott quickly spread across the nation and within eighteen days President Grover Cleveland ordered the Army to break the strike, over the objections of Governor Altgeld of Illinois. Eugene Debs was arrested under the Sherman Anti-Trust Act, accused of disrupting trade. The law was conceived to prevent monopolies, but had never been enforced for that purpose. Debs was not allowed a jury. The judge convicted him and he spent six months in prison in Woodstock, Illinois.

While in prison Debs had time to reflect on the lessons of the Pullman Strike: "in the gleam of every bayonet and the flash of every rifle the class struggle was revealed. This was my first practical lesson in Socialism, though wholly unaware that it was called by that name." Debs emerged from prison famous and Socialist. He devoted the rest of his life ceaselessly promoting the interests of workers and Socialism.

In 1918 Debs made a pacifist speech against World War I and was subsequently arrested and convicted to 10 years in prison under the Espionage Act. Following the example of political prisoners the world over, Debs

did not contest the charges. He told the jury that he "has never advocated violence in any form" he believed in the ballot-box, not the ammunition box XXX as a means of achieving the Socialist revolution.

Likewise, he stood by his anti-war speech. He went on with words that would resonate as his most powerful. "Washington, Paine, Adams - these were the rebels of their day" said Debs as he proclaimed his "love for the flag as symbol of freedom" but also his belief in "a wider patriotism" and a "kinship with all living beings." Climaxing with the phrase that would be his most remembered, "While there is a lower class, I am in it; while there is a criminal element, I am of it; while there is a soul in prison, I am not free."

In 1920, Eugene V. Debs in his fifth and final presidential run, still convict number 9653 in the Atlanta penitentiary, received nearly a million votes or 3% of the nation. An impressive 3rd party showing, although down from his 1912 high of 6%. Debs failed to achieve his Socialist revolution, however he did play a large role in steering the American body politic away from the Robber Barons of the late 1800's towards the Progressive policies of the early 1900's.

Scott Snelling  
ME Class of '00



www.columbia.edu  
Eugene Debs delivering rousing a speech.

The election is coming up. You should write for Opinions!

E-mail opinions@rose-hulman.edu



# Rose Sports Rundown

by Andrew Twarek

<h3>Last week's sports scores</h3> <p><b>Football (4-3) (1-2 SCAC)</b> Oct. 16 <b>Rose-Hulman 14</b> vs. Millsaps 7</p> <p><b>Men's Soccer (7-7) (2-4 SCAC)</b> Oct. 16 Rose-Hulman 0 vs. Manchester 2</p> <p><b>Women's Soccer (11-4-1) (5-1 SCAC)</b> Oct. 18 Rose-Hulman 0 at. Wheaton 5</p> <p><b>Volleyball (9-17) (4-5 SCAC)</b> Oct. 15 Rose-Hulman 0 at Mt. St. Joseph 3</p> <p>Rose-Hulman 0 at Colorado 3</p> <p>Oct. 16 Rose-Hulman 0 vs. California 3</p> <p>Rose-Hulman 1 vs. Millikin 3</p> <p><b>Cross Country</b> Oct. 15 Rose-Hulman at Millikin Invitational Men - 10th of 18 teams Women - 5th of 18 teams</p> <p><b>Teams in bold denote winners.</b></p>	<h3>Intramural update</h3> <p><b>Andrew Twarek</b> Staff Writer</p> <p>There are six unbeaten teams in the Flag Football divisions, and competition is high. The Greek A league is led by The Big Show (5-0) and Dingers (4-1). New Res 2 (4-0) tops the Res Hall A league. The Dingers own a 4-0 record to lead the Greek B league. Both the Delta Force (5-0) and the Gators (4-0) are undefeated among Res Hall B teams. Finally, Lambda Chi Alpha (5-0) is the top team in the Res Hall C league.</p> <p>The 5-on-5 indoor soccer matches are also heating up, with seven teams that haven't been beaten. The A league is led by the Dingers with a 4-0 record. The Dingers also hold a 4-0 record in the Greek B league and the Fiji White team is 2-1. The Res Hall B league is separated into two divisions: New Res 1/0, the Speedsters, and Team Liao are all 3-0. Chuck Yeager's All-Stars (4-0) top the Independent B league, followed by REO Speedwagon (3-1). The C-level Residence Hall league is topped by S.W.A.T (3-0) and Sam (3-1).</p> <table border="1"> <tr> <th colspan="3">Flag Football</th> <th colspan="3">Level B</th> <th colspan="3">Residence Hall B</th> </tr> <tr> <th colspan="3">Level A</th> <th colspan="3">Greek Division</th> <th colspan="3">W</th> </tr> <tr> <td>Greek Division</td> <td>W</td> <td>L</td> <td>Greek Division</td> <td>W</td> <td>L</td> <td>Delta Force</td> <td>4</td> <td>0</td> </tr> <tr> <td>The Big Show</td> <td>5</td> <td>0</td> <td>Dingers</td> <td>4</td> <td>0</td> <td>Speed Bombers</td> <td>3</td> <td>1</td> </tr> <tr> <td>Dingers</td> <td>4</td> <td>1</td> <td>Pike Garnet</td> <td>3</td> <td>1</td> <td>S.W.A.T.</td> <td>2</td> <td>2</td> </tr> <tr> <td>ATO Blue</td> <td>2</td> <td>3</td> <td>Do it for Sammy2</td> <td>1</td> <td>3</td> <td>BSB Co-Eds</td> <td>2</td> <td>2</td> </tr> <tr> <td>Fiji Gold</td> <td>2</td> <td>3</td> <td>Deita Sig</td> <td>1</td> <td>3</td> <td>D-Zero</td> <td>0</td> <td>3</td> </tr> <tr> <td>Swed</td> <td>1</td> <td>4</td> <td>Fiji Purple</td> <td>1</td> <td>3</td> <td>New Res 3</td> <td>0</td> <td>3</td> </tr> <tr> <td>Sigma Nu (FF)</td> <td>0</td> <td>5</td> <td></td> <td></td> <td></td> <td></td> <td></td> <td></td> </tr> </table> <table border="1"> <tr> <th colspan="3">Residence Hall</th> <th colspan="3">Residence Hall</th> <th colspan="3">Level C</th> </tr> <tr> <td>New Res 2</td> <td>4</td> <td>0</td> <td>Gators</td> <td>3</td> <td>0</td> <td colspan="3">Residence Hall C</td> </tr> <tr> <td>D Ten Rockets</td> <td>3</td> <td>1</td> <td>New Res 2</td> <td>2</td> <td>1</td> <td>Lambda Chi Alpha</td> <td>5</td> <td>0</td> </tr> <tr> <td>BSB 2</td> <td>2</td> <td>3</td> <td>Hit Squad</td> <td>2</td> <td>1</td> <td>Do it for Sammy</td> <td>4</td> <td>1</td> </tr> <tr> <td>Speed Kills</td> <td>1</td> <td>3</td> <td>Deming 2</td> <td>1</td> <td>2</td> <td>Mees</td> <td>2</td> <td>3</td> </tr> <tr> <td>D Attic Rangers</td> <td>0</td> <td>4</td> <td>Skinner</td> <td>1</td> <td>2</td> <td>Blumberg</td> <td>2</td> <td>3</td> </tr> <tr> <td></td> <td></td> <td></td> <td>Speed 2</td> <td>0</td> <td>3</td> <td>The Little Hoodlings</td> <td>2</td> <td>3</td> </tr> <tr> <td></td> <td></td> <td></td> <td></td> <td></td> <td></td> <td>Red Hot Chi O's</td> <td>0</td> <td>5</td> </tr> </table> <table border="1"> <tr> <th colspan="3">Indoor Soccer</th> <th colspan="3">Level C</th> </tr> <tr> <th colspan="3">Level A</th> <th colspan="3">Greek Division</th> </tr> <tr> <td>Soccer A</td> <td>W</td> <td>L</td> <td>Lambda Chi Alpha</td> <td>3</td> <td>1</td> </tr> <tr> <td>Dingers</td> <td>4</td> <td>0</td> <td>Pike Garnet</td> <td>3</td> <td>1</td> </tr> <tr> <td>Ace of Clubs</td> <td>3</td> <td>1</td> <td>ATO Gold</td> <td>1</td> <td>3</td> </tr> <tr> <td>The Simpsons</td> <td>3</td> <td>1</td> <td>Tri Delta</td> <td>1</td> <td>3</td> </tr> <tr> <td>Fiji Kick F.</td> <td>2</td> <td>2</td> <td></td> <td></td> <td></td> </tr> <tr> <td>D Ten Ducks</td> <td>1</td> <td>3</td> <td colspan="3"><b>Residence Hall</b></td> </tr> <tr> <td>BSB 2</td> <td>0</td> <td>4</td> <td>S.W.A.T.</td> <td>3</td> <td>0</td> </tr> <tr> <td>Sigma Nu</td> <td>0</td> <td>4</td> <td>SAM</td> <td>3</td> <td>1</td> </tr> <tr> <td></td> <td></td> <td></td> <td>The Little Hoodlings</td> <td>2</td> <td>2</td> </tr> <tr> <td></td> <td></td> <td></td> <td>Skinner</td> <td>2</td> <td>2</td> </tr> <tr> <td></td> <td></td> <td></td> <td>Blumberg</td> <td>1</td> <td>3</td> </tr> <tr> <td></td> <td></td> <td></td> <td>Team Mees</td> <td>0</td> <td>3</td> </tr> </table> <table border="1"> <tr> <th colspan="3">Level B</th> <th colspan="3">Residence Hall 2</th> </tr> <tr> <th colspan="3">Greek Division</th> <td>NR!/0</td> <td>3</td> <td>0</td> </tr> <tr> <td>Dingers</td> <td>4</td> <td>0</td> <td>Team Liao</td> <td>3</td> <td>0</td> </tr> <tr> <td>Fiji White</td> <td>2</td> <td>1</td> <td>Speed 3</td> <td>1</td> <td>1</td> </tr> <tr> <td>Pike Gold</td> <td>1</td> <td>2</td> <td>Pumas</td> <td>1</td> <td>2</td> </tr> <tr> <td>ATO Blue</td> <td>1</td> <td>2</td> <td>Deming 2</td> <td>1</td> <td>2</td> </tr> <tr> <td>Delta Sig</td> <td>0</td> <td>3</td> <td>Speed 2</td> <td>0</td> <td>2</td> </tr> <tr> <td></td> <td></td> <td></td> <td>D-Attic Rangers</td> <td>0</td> <td>2</td> </tr> </table>	Flag Football			Level B			Residence Hall B			Level A			Greek Division			W			Greek Division	W	L	Greek Division	W	L	Delta Force	4	0	The Big Show	5	0	Dingers	4	0	Speed Bombers	3	1	Dingers	4	1	Pike Garnet	3	1	S.W.A.T.	2	2	ATO Blue	2	3	Do it for Sammy2	1	3	BSB Co-Eds	2	2	Fiji Gold	2	3	Deita Sig	1	3	D-Zero	0	3	Swed	1	4	Fiji Purple	1	3	New Res 3	0	3	Sigma Nu (FF)	0	5							Residence Hall			Residence Hall			Level C			New Res 2	4	0	Gators	3	0	Residence Hall C			D Ten Rockets	3	1	New Res 2	2	1	Lambda Chi Alpha	5	0	BSB 2	2	3	Hit Squad	2	1	Do it for Sammy	4	1	Speed Kills	1	3	Deming 2	1	2	Mees	2	3	D Attic Rangers	0	4	Skinner	1	2	Blumberg	2	3				Speed 2	0	3	The Little Hoodlings	2	3							Red Hot Chi O's	0	5	Indoor Soccer			Level C			Level A			Greek Division			Soccer A	W	L	Lambda Chi Alpha	3	1	Dingers	4	0	Pike Garnet	3	1	Ace of Clubs	3	1	ATO Gold	1	3	The Simpsons	3	1	Tri Delta	1	3	Fiji Kick F.	2	2				D Ten Ducks	1	3	<b>Residence Hall</b>			BSB 2	0	4	S.W.A.T.	3	0	Sigma Nu	0	4	SAM	3	1				The Little Hoodlings	2	2				Skinner	2	2				Blumberg	1	3				Team Mees	0	3	Level B			Residence Hall 2			Greek Division			NR!/0	3	0	Dingers	4	0	Team Liao	3	0	Fiji White	2	1	Speed 3	1	1	Pike Gold	1	2	Pumas	1	2	ATO Blue	1	2	Deming 2	1	2	Delta Sig	0	3	Speed 2	0	2				D-Attic Rangers	0	2	<h3>Upcoming athletic events</h3> <p><b>Football</b> Saturday, Oct. 23 Rose-Hulman at Sewanee 1:30 p.m.</p> <p><b>Men's Soccer</b> Friday, Oct. 22 Rose-Hulman at Trinity 3:30 p.m.</p> <p><b>Women's Soccer</b> Friday, Oct. 23 Rose-Hulman at Trinity 5:30 p.m.</p> <p>Sunday, Oct. 24 Rose-Hulman at Southwestern Noon</p> <p>Sunday, Oct. 24 Rose-Hulman at Southwestern 2 p.m.</p> <p>Saturday, Oct. 23 <b>Rose-Hulman</b> <b>at Hulbert Arena</b> <b>1:30 p.m. (vs. Centre)</b> <b>4 p.m. (vs. Oglethorpe)</b></p> <p>Sunday, Oct. 24 <b>Rose-Hulman</b> <b>at Hulbert Arena</b> <b>12:30 p.m. (vs. Sewanee)</b> <b>3 p.m. (vs. DePauw)</b></p> <p><b>Games in bold denote home games</b></p>
Flag Football			Level B			Residence Hall B																																																																																																																																																																																																																																																																																									
Level A			Greek Division			W																																																																																																																																																																																																																																																																																									
Greek Division	W	L	Greek Division	W	L	Delta Force	4	0																																																																																																																																																																																																																																																																																							
The Big Show	5	0	Dingers	4	0	Speed Bombers	3	1																																																																																																																																																																																																																																																																																							
Dingers	4	1	Pike Garnet	3	1	S.W.A.T.	2	2																																																																																																																																																																																																																																																																																							
ATO Blue	2	3	Do it for Sammy2	1	3	BSB Co-Eds	2	2																																																																																																																																																																																																																																																																																							
Fiji Gold	2	3	Deita Sig	1	3	D-Zero	0	3																																																																																																																																																																																																																																																																																							
Swed	1	4	Fiji Purple	1	3	New Res 3	0	3																																																																																																																																																																																																																																																																																							
Sigma Nu (FF)	0	5																																																																																																																																																																																																																																																																																													
Residence Hall			Residence Hall			Level C																																																																																																																																																																																																																																																																																									
New Res 2	4	0	Gators	3	0	Residence Hall C																																																																																																																																																																																																																																																																																									
D Ten Rockets	3	1	New Res 2	2	1	Lambda Chi Alpha	5	0																																																																																																																																																																																																																																																																																							
BSB 2	2	3	Hit Squad	2	1	Do it for Sammy	4	1																																																																																																																																																																																																																																																																																							
Speed Kills	1	3	Deming 2	1	2	Mees	2	3																																																																																																																																																																																																																																																																																							
D Attic Rangers	0	4	Skinner	1	2	Blumberg	2	3																																																																																																																																																																																																																																																																																							
			Speed 2	0	3	The Little Hoodlings	2	3																																																																																																																																																																																																																																																																																							
						Red Hot Chi O's	0	5																																																																																																																																																																																																																																																																																							
Indoor Soccer			Level C																																																																																																																																																																																																																																																																																												
Level A			Greek Division																																																																																																																																																																																																																																																																																												
Soccer A	W	L	Lambda Chi Alpha	3	1																																																																																																																																																																																																																																																																																										
Dingers	4	0	Pike Garnet	3	1																																																																																																																																																																																																																																																																																										
Ace of Clubs	3	1	ATO Gold	1	3																																																																																																																																																																																																																																																																																										
The Simpsons	3	1	Tri Delta	1	3																																																																																																																																																																																																																																																																																										
Fiji Kick F.	2	2																																																																																																																																																																																																																																																																																													
D Ten Ducks	1	3	<b>Residence Hall</b>																																																																																																																																																																																																																																																																																												
BSB 2	0	4	S.W.A.T.	3	0																																																																																																																																																																																																																																																																																										
Sigma Nu	0	4	SAM	3	1																																																																																																																																																																																																																																																																																										
			The Little Hoodlings	2	2																																																																																																																																																																																																																																																																																										
			Skinner	2	2																																																																																																																																																																																																																																																																																										
			Blumberg	1	3																																																																																																																																																																																																																																																																																										
			Team Mees	0	3																																																																																																																																																																																																																																																																																										
Level B			Residence Hall 2																																																																																																																																																																																																																																																																																												
Greek Division			NR!/0	3	0																																																																																																																																																																																																																																																																																										
Dingers	4	0	Team Liao	3	0																																																																																																																																																																																																																																																																																										
Fiji White	2	1	Speed 3	1	1																																																																																																																																																																																																																																																																																										
Pike Gold	1	2	Pumas	1	2																																																																																																																																																																																																																																																																																										
ATO Blue	1	2	Deming 2	1	2																																																																																																																																																																																																																																																																																										
Delta Sig	0	3	Speed 2	0	2																																																																																																																																																																																																																																																																																										
			D-Attic Rangers	0	2																																																																																																																																																																																																																																																																																										

## First quarter scores, strong defense lift Rose-Hulman past Millsaps

Rose-Hulman Institute of Technology relied on a pair of first quarter touchdowns and a strong defensive effort to earn a 14-7 victory over Millsaps College in Southern Collegiate Athletic Conference football action on Saturday evening.

Junior Charlie Key (Harrison, Ohio) rushed for 58 yards and a two-yard touchdown in the first quarter, with junior Scott Schlegel (St. Louis, Mo./Oakville) contributing 28 yards and one score for the Rose-Hulman ground attack. Junior Jason Dickey (Elwood/Madison Grant), freshman Jared Moore (Indianapolis/Perry Meridian) and Key led the receiving effort with four receptions each.

Sophomore Cameron Hummel (Dunkirk/Jay County) rushed for 55 yards and finished 10-

18 through the air for 69 yards, while freshman Aaron Gerhardtstein (Fort Wayne/Northrop) completed seven of 10 passes for 57 yards for the Engineers.

Sophomore Austin Hastings (Santa Ana, Calif./Foothill) had 10 tackles to lead the Rose-Hulman defensive effort, while junior Brett Bueltel (Huntingburg/Southridge) had a pair of interceptions for the Engineers.

"I am very proud of our defensive effort. We had a number of young players step up and make plays when it counted. This is a huge win for us, and getting to 4-3 at this point is a very big deal for our program," said Rose-Hulman head coach Ted Karras.

Other key contributors for the Rose-Hulman defense included sophomore Tim Wilson (Crystal Lake, Ill./Prairie Ridge) with

nine stops; senior Neil Harrison (Tucson, Ariz./Catalina Foothills) with seven tackles and a forced fumble; senior Jake Vieck (Vincennes/Lincoln) with three tackles-for-loss and two sacks; and freshman Steve Hawkins (Casey, Ill./Casey-Westfield) with five tackles, one forced fumble and one fumble recovery.

Millsaps closed within 14-7 on a four-yard pass from Brandon Morris to Nick Madison with 9:50 left in the third quarter. Sophomore Tyson Roy led the Majors offensive attack with 113 yards on 18 carries.

The teams played a scoreless final 25 minutes, featuring two interceptions and a fumble recovery for the Engineer defense and two interceptions by Millsaps.

The fourth quarter was a back-

and-forth affair that featured scoring chances for both squads. Millsaps reached the Engineer 23-yard line, before missing a 40-yard field goal attempt on the first play of the quarter.

The Engineers relied on a Bueltel interception to gain field position at the Millsaps 47-yard line, but after the drive stalled, Bueltel relied on his foot to punt the Majors down at the nine-yard line.

A key third-down sack by junior Josh Clark (Spencer/Owen Valley) ended the Millsaps possession in three plays and forced a punt from the four-yard line. The Engineers drove to the Millsaps 24, before a fourth-down fumble was recovered by Stephen Paine to give Millsaps the ball with 5:23 left.

Millsaps reached the 50-yard

line before a third-down sack from sophomore Adam Helmerich (Huntingburg/Southridge) forced another Majors punt. The Engineers were unable to run out the clock, however, and Millsaps had one final possession to travel 88 yards in 1:04 with a chance to tie.

The Majors reached the Engineer 39-yard line on a 10-yard run by Raymece Savage, but were backed into their own territory by a personal foul penalty in the waning seconds. Savage was sacked by Vieck on the game's final play to seal the Rose-Hulman win.

Rose-Hulman improved to 4-3 on the season and 1-2 in SCAC action, while Millsaps dropped to 2-3 overall and 1-1 in league play. The Engineers travel to Sewanee next Saturday afternoon.

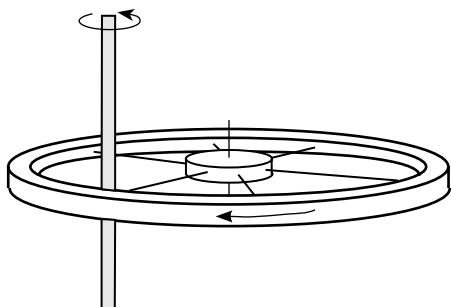


# FLIPSIDE

### Flipside Contest!

*Design a Shaft Passer*

You have a spoked gear. You have a rotating shaft.



Some PU graduate has inadvertently designed a device in such a way that the shaft passes through the gear, preventing it from turning. It is too expensive to redesign the entire device, so you must create a makeshift solution.

Make a rough design of a device to attach to the shaft or spokes so that both parts can pass through each other and still transfer power. The only constraints on the design are the laws of physics. The top three designs, as decided by our panel of non-experts, will be printed on the Flipside on October 28th. Send all submissions to [flipside@rose-hulman.edu](mailto:flipside@rose-hulman.edu).

This is not a joke.

### ERRATUM:

Last week's Top Ten was written by Aaron Meles, who could beat up Clerc's mom.

### Herbig's Pun of the Week

Good birds are made for each other: one good tern deserves another.

### Top Ten Reasons the Yankees Lost

10. The Red Sox changed pitchers so many times the Yankees forgot what sport they were playing.
9. Yankees had more errors than my last physics lab.
8. Hideki Matsui lost his green card.
7. Hertz works as an umpire on the side.
6. Red Sox began new "Confederate" tactics to combat the Yankees.
5. George Steinbrenner really can't write any more checks.
4. Derek Jeter prematurely integrated before the game.
3. Halfway through the series, Ortiz placed the last piece of pirate gold in the Aztec chest, thereby finally lifting the ancient curse.
2. Babe Ruth's tortured spirit has finally moved on to the afterlife.
1. After game 5, the Yankees decided that they would rather lose than play another 14-inning game.

--Aaron Meles

### Wacky Prof Quotes

"Everybody is stupid! There are areas in which I am very stupid, there are areas that YOU are very stupid!"  
--Prof. Sanders, on stupidity

"Believe it or not, I went to a store. They let me out. There were little kids running around, and I was like, 'Real springs!'"  
--Prof. Livesay, on blending in with normal people

"If you turn in a paper on the economics of the Smurfs, I swear to God, I'm failing you."  
--Prof. Casey, who never said anything about Snorks

"The public has enough trouble with percents. I don't know what they're going to do with independence."  
--Prof. Grimaldi, on mathematical fascism

"People should have sex with friends. My god, what are friends for?"  
--Prof. Brophy, on friends with side dishes

"...cross between ignorant and morons. If you go to McDonald's, it's a breeding ground for them. You have to watch out for these IG-MOS. I once ordered a hot apple pie and a vanilla shake, then they asked me if I wanted dessert with that. You got to watch out for these IG-MOS... they are everywhere!"  
--Prof. Sanders, showing slight paranoid tendencies

"For that split second, I go insane... and then it stops. And then I feel better."  
--Prof. Livesay, on his sanity timer

"I feel like dancing. It must've been the beer I drank before I came in."  
--Prof. Merkel, on drunken engineering

"Sex, in a lot of ways, is like driving through Kentucky..."  
--Prof. Brophy, who never explained why

"You can plot it if you're paranoid like me, but it's all of the meth I've done that's made me that way."  
--Prof. Bryan, on optimization

"Only don't ever hug him. When you hug him, he burps."  
--Prof. Brackin, on her fellow ME profs

Send your prof quotes or other humor material to [flipside@rose-hulman.edu](mailto:flipside@rose-hulman.edu)

### This Day in History

In 1962, President Kennedy announces that he is ordering a "quarantine" of Cuba to keep out nuclear missiles. There was no comment from Marilyn Monroe.

### In Addition

"It was then that he realized that the ancient proverb was correct: It is, in fact, the pelvic thrust which really drives you insane."

